

APPLICANT NAME: \_\_\_\_\_

## HMBYC ADULT SAILING CLASS SKIPPER CHECK OUT TEST

### 1 Club Rules

1.1 What are the sailing boundaries for club boats?

---

---

1.2 What are the pre-sailing logout procedures?

---

---

---

1.3 What equipment should you bring with you?

---

---

---

1.4 What are the rules for environmental stewardship?

---

### 2 Safety Gear

2.1 Name 8 items of personal protection that you should bring with you sailing?

---

---

2.2 Name 3 potential health hazards associated with exposure and their treatment.

---

---

---

2.3 Name 5 items that are recommended to have on board for emergency response and safety?

---

---

---

### 3 Safe Sailing Precautions

#### 3.1 Name 7 safe sailing practices?

---

---

---

---

### 4 Man Overboard

#### 4.1 What are the procedures for the man overboard rescue?

---

---

---

---

### 5 Environmental Awareness

#### 5.1 What are the environmental conditions to pay attention to before and during your sail?

---

---

---

---

### 6 Knots

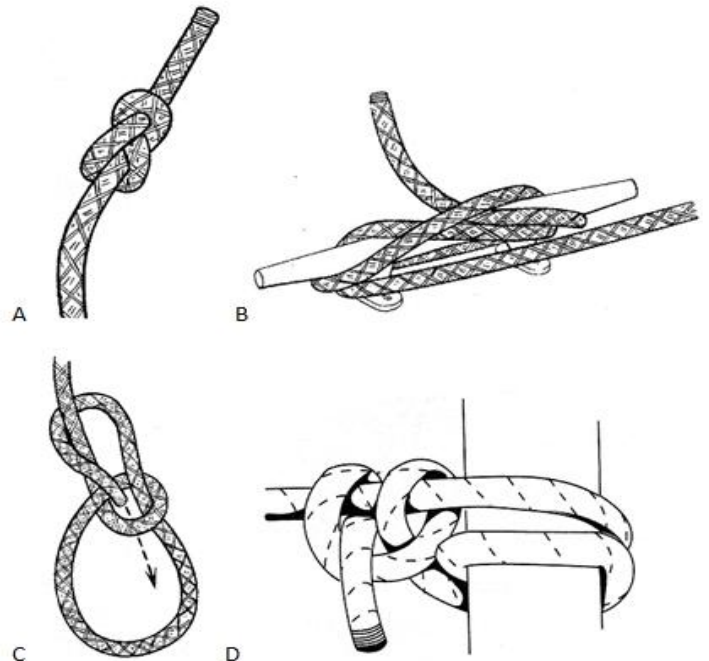
#### 6.1 Match the knot with the picture:

Cleat Hitch

Figure 8

Bowline

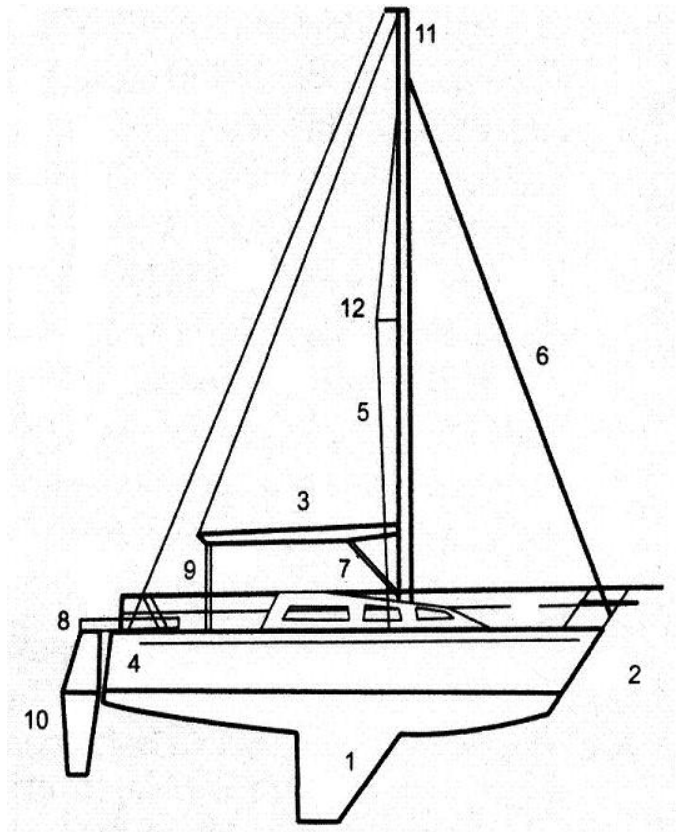
Rolling hitch & 2 half turns



## 7 Parts of the Boat

### 7.1 Match the parts of the boat with the pictures:

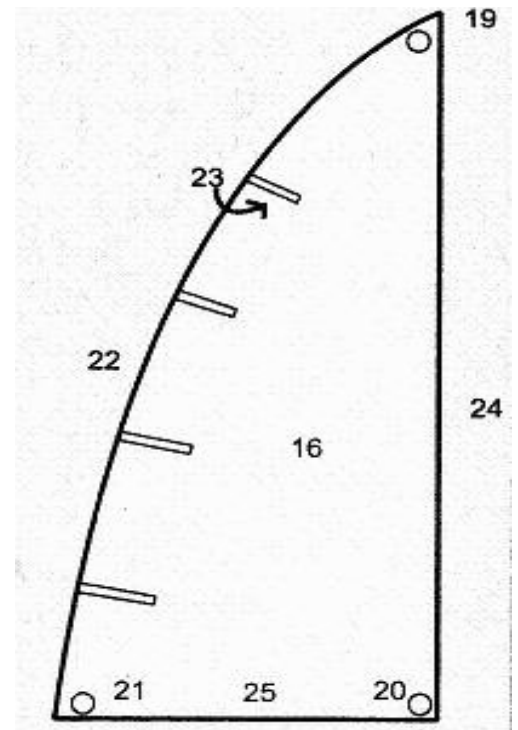
- Bow
- Keel
- Stern
- Boom Vang
- Forestay
- Tiller
- Shroud
- Boom
- Rudder
- Mast
- Spreader
- Main Sheet



## 8 Parts of Sail

### 8.1 Match the parts of the sail with the pictures:

- Head
- Luff
- Foot
- Tack
- Leech
- Clew
- Batten



APPLICANT NAME: \_\_\_\_\_

## 9 Roles and responsibilities

9.1 Describe the responsibilities of the skipper and where they sit.

---

---

9.2 Describe the responsibilities of the crew and where they sit.

---

---

## 10 Steering

10.1 Describe steering with a tiller and rudder, what to do to turn left/right.

---

10.2 What is heading up and which way do you put the tiller when heading up?

---

---

10.3 What is bearing away and which way do you put the tiller?

---

---

10.4 Describe the tacking sequence.

---

---

---

10.5 Describe the jibing sequence.

---

---

---

## 11 Balance

11.1 Describe proper boat balance and what things affect boat balance?

---

11.2 Describe how to trim a sail and use the tell tales.

---

---

APPLICANT NAME: \_\_\_\_\_

## 12 Sail trim

12.1 When heading up you \_\_\_\_\_ the sails, when bearing way you \_\_\_\_\_ the sails.

## 13 Stopping/Unstopping the Boat

13.1 Describe ways to stop the boat.

---

---

---

13.2 Getting out of irons

---

---

---

---

## 14 Points of Sail

14.1 Identify the Points of Sail on the diagram.

In Irons

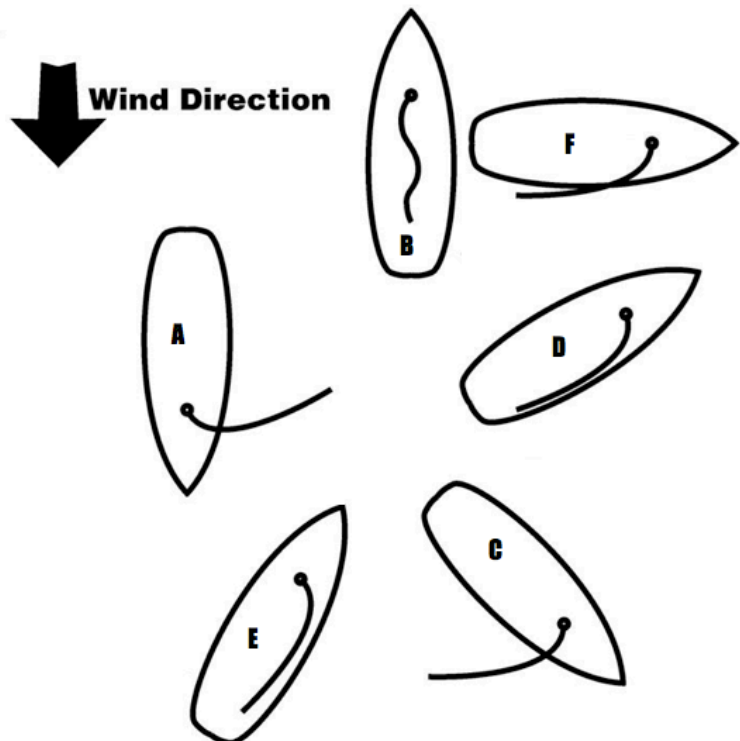
Broad Reach

Close Haul

Running Free

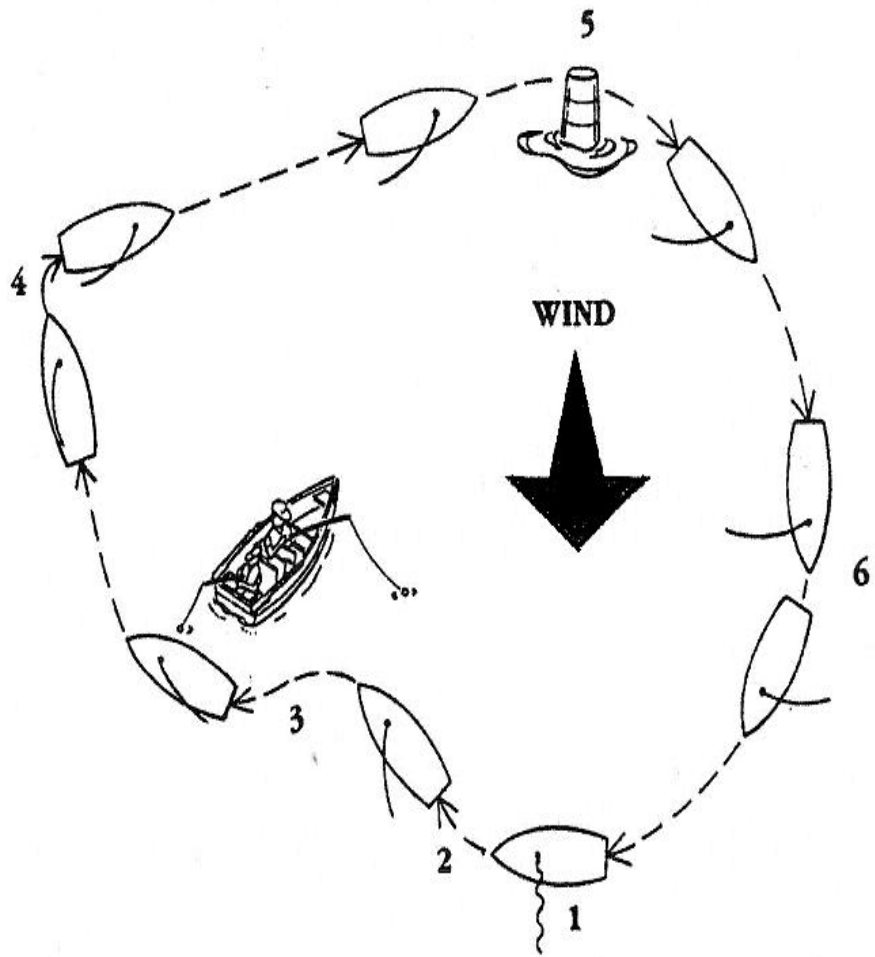
Beam Reach

Close Reach



**14.2 Match the number with the correct letters**

- A. Tacking
- B. Jibing
- C. Bearing Away
- D. Heading Up
- E. Luffing



I

APPLICANT NAME: \_\_\_\_\_

**15 Docking:**

**15.1 Boats A and B are approaching the Dock:**

**15.2 Which boat has the right of way?**

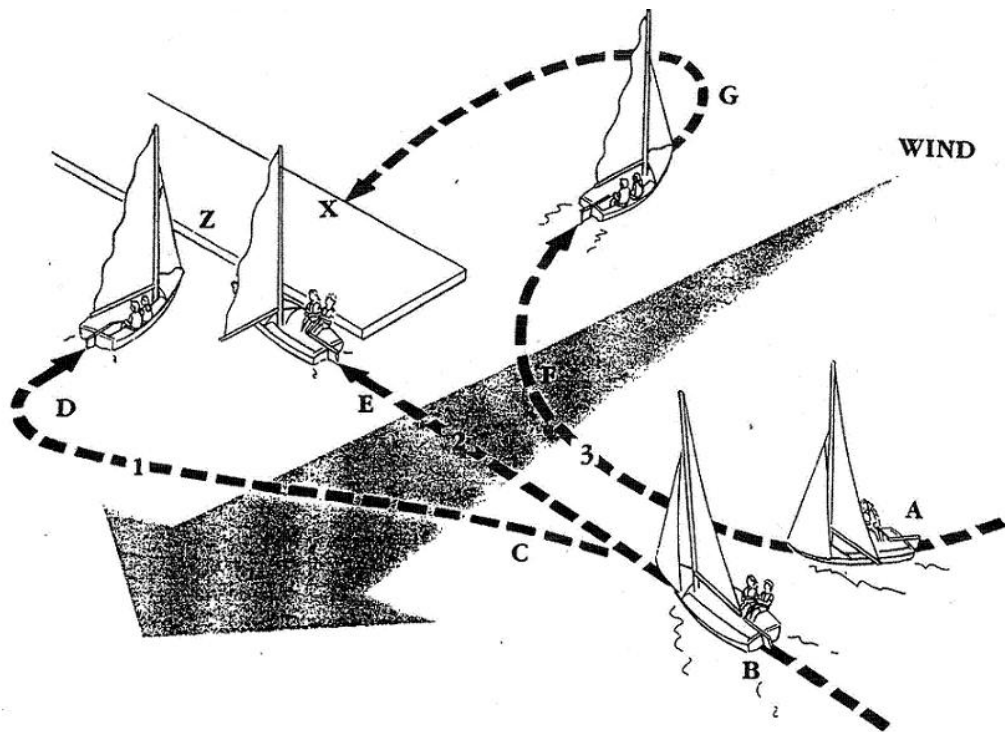
\_\_\_\_\_

**15.3 Which boat must stay clear?**

\_\_\_\_\_

**15.4 Which is the best return point on the dock?**

\_\_\_\_\_



APPLICANT NAME: \_\_\_\_\_

TESTER/CHECKOUT SKIPPER NAME: \_\_\_\_\_

DATE: \_\_\_\_\_

PASS: \_\_\_\_\_

YES

NO

RECOMMENDATIONS: \_\_\_\_\_

\_\_\_\_\_

\_\_\_\_\_

\_\_\_\_\_